

# Propellers



**SAMT**

Specialised Air Motors and Transmission

















**TONSON®**







Specifications  
subject to  
change  
without notice

## AXIAL FLOW IMPELLER







For blending, solids suspension, solids incorporation or draw down, gas inducement, and heat transfer. Custom axial flow impellers may be designed with a different pitch to change the combination of pumping rate and thrust.

Propeller							
Style	A1	A2	A3	A4	A5	A8	A9
Dia.(inch)	Ø2 <sup>3</sup> / <sub>4</sub> "~15"	Ø10"	Ø8" 右旋	Ø8" left	Ø14"	Ø6"	Ø6"
Bore(mm)	Ø16 ~ 25	Ø16 ~ 25	Ø16 ~ 25	Ø16 ~ 25	Ø12 ~ 16	Ø12	Ø12
Material	Aluminum	Aluminum, SS	Aluminum, SS	Aluminum, SS	Aluminum	Aluminum	Stainless Steel

Propeller							
Style	D3	D4	D6	B4	B5	B6	B9
Dia.(inch)	Ø12"	Ø8"~12"	Ø12"	Ø5"	Ø4"	Ø2 <sup>3</sup> / <sub>4</sub> "	Ø6"
Bore(mm)	Ø16 ~ 25	Ø12 ~ 25	Ø16 ~25	Ø12 ~ 16	Ø12 ~ 16	Ø7	Ø12
Material	Aluminum, SS	Aluminum, SS	Aluminum, SS	Aluminum, SS	Aluminum, SS	SS	SS


Two Bladed Propellers						
Style	E1	E2	E3	E4	E6	E7
Dia.(inch)	Ø10"~18"	Ø10"	Ø6"~7"	Ø12"~16"	Ø6"~12"	Ø6"~12"
Bore(mm)	Ø20	Ø16	Ø16	Ø12 ~ 25	Ø12 ~ 25	Ø12 ~ 25
Material	Aluminum	Aluminum	Aluminum	Aluminum, SS	SS	SS
Several propellers may be mounted on a single shaft for mixing heavy viscous materials. Available in both left and right hand rotation.						

Create circular, axial and radial turbulence force solids off the bottom with minimum swirl and vortex.

Pitched Blade Turbine				Mixed Flow Impeller			
Style	A7	AT5	E5	Style	MF1	E2	R1
Dia.(inch)	Ø6"	Ø6"~12"	Ø10"~14"	Dia.(inch)	Ø6"~10"	Ø10"	Ø11"
Bore(mm)	Ø12 ~ 16	Ø12 ~ 25	Ø20 ~ 30	Bore(mm)	Ø12 ~25	Ø16	Ø16
Material	Aluminum	SS	SS	Material	SS	Aluminum	SS


## HIGH-SHEAR IMPELLER

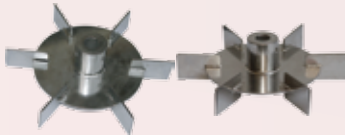
Operated at high speeds and for the addition of a second phase (ex. Gas, liquid, solid, powder) in grinding, dispersing pigments, and making emulsions. Providing high intensity of turbulence in the vicinity of the impeller, maximizing flow per horsepower input. Suitable for paint, clay slurries, paper coating...etc.



High Shear							
Style	B7	B8	C1	C2	C3	D1	D2
Dia.(inch)	Ø2"~5"	Ø5"~6"	Ø8"	Ø8"	Ø6"~11"	Ø8.5"	Ø5"~12"
Bore(mm)	Ø8~20	Ø12~20	Ø16~25	Ø16	Ø16~50	Ø16~25	Ø16~25
Material	SS	Aluminum	Aluminum, SS	Aluminum	SS	Aluminum, SS	Aluminum, SS

## OPEN FLAT BLADE


For low to medium viscosity fluids; most effective for gas-liquid and liquid-liquid dispersion, higher shear & turbulence levels with lower pumping. Providing strong top-to-bottom flows both above and below the impeller when used with suitable baffles.

Open Flat Blade	
Style	F1
Dia.(inch)	Ø6"~10"
Bore(mm)	Ø12 ~25
Material	SS
Providing strong top-to-bottom flows both above and below the impeller when used with suitable baffles.	



Disk Style	
Style	C6
Dia.(inch)	Ø6"~10"
Bore(mm)	Ø12 ~25
Material	SS
Prevents gas from rising along the mixer shaft. Suitable for use with a pitched blade turbine for use in gas-liquid mixing.	

Hydrofoil		
Style	C4	C4-4
Dia.(inch)	Ø6"~14"	Ø6"~14"
Bore(mm)	Ø12 ~25	Ø12 ~25
Material	SS	SS
For application where axial flow is important and low shear is desired. Efficient for liquid blending and solid suspension. Turbo propellers provide low resistance.		


## FOR HANDHELD MIXERS

Small Batch	
Style	D5
Dia.(inch)	Ø4"
Bore(mm)	Ø12 ~25
Material	SS

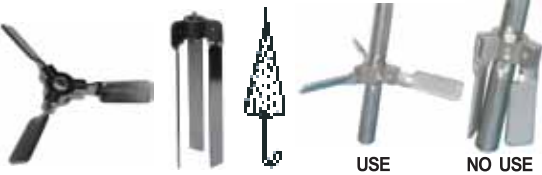
## LABORATORY IMPELLER

Laboratory		
Style	B6	B7
Dia.(inch)	Ø2 <sup>3</sup> / <sub>4</sub> "	Ø2"
Bore(mm)	Ø7mm	Ø8mm
Material	SS	SS

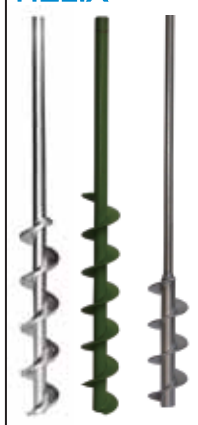
## HIGH VISCOSITY

High Viscosity	
Style	A6
Dia.(inch)	Ø6"~12"
Bore(mm)	Ø12 ~ 25
Material	SS

## EXTENSIBLE BLADE

Extensible	
Style	C5
Dia.(inch)	Ø6"~10"
Bore(mm)	Ø12 ~ 20
Material	SS
Closed to enter drum or bulk tank, opens up with mixing rotation. For thin materials, use one impeller; for thicker materials use two or three. Set screws included. Shafts are sold separately.	

## HELIX



## HELICAL RIBBON

Provides top-to-bottom physical movement of the liquid.



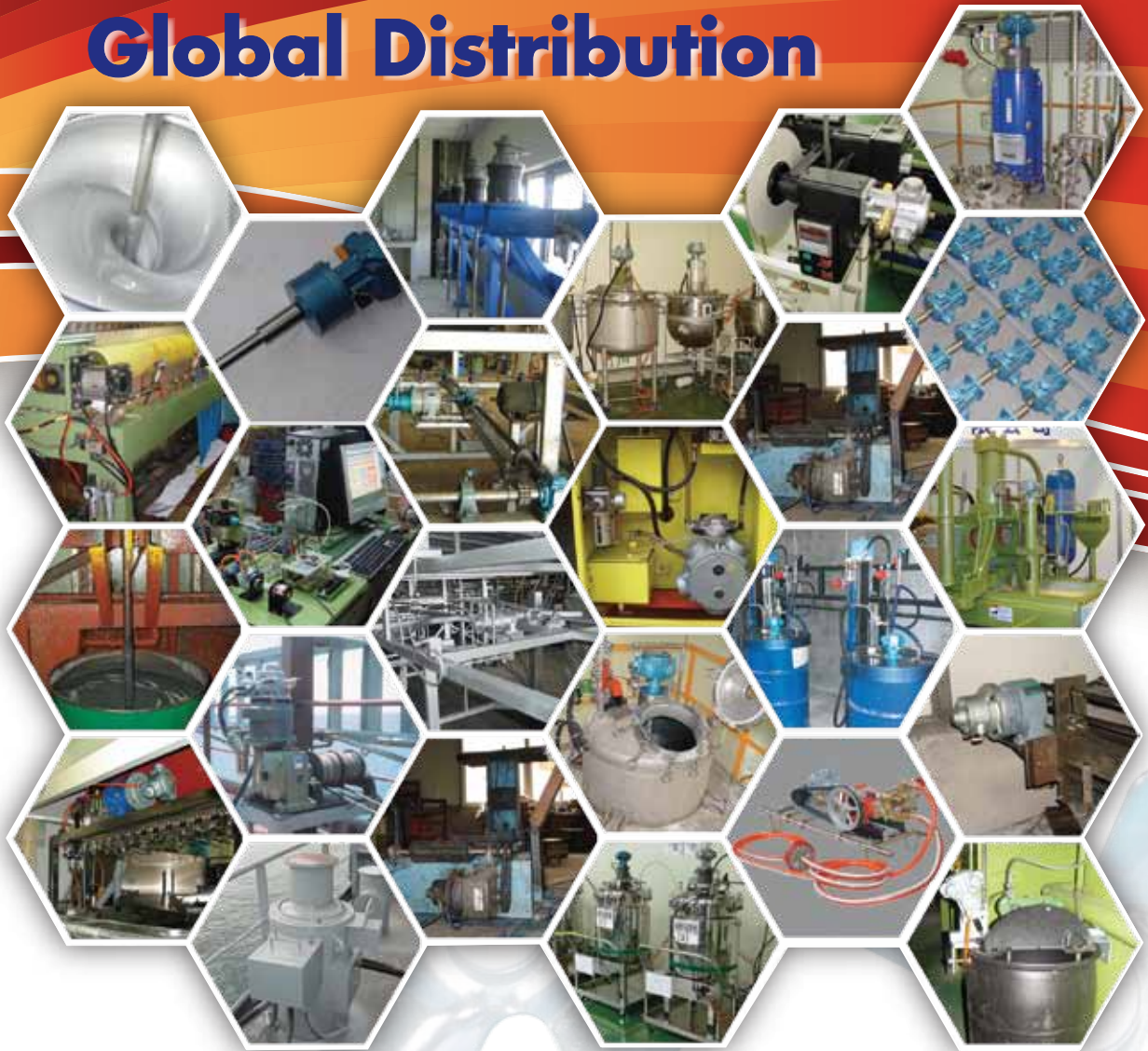
## TEFLON COAT



## CUSTOM



# Global Distribution



## Contact Us

### Head Office Australia

Postal address:

TONSON AUSTRALIA

Factory 19, 5 Lyn Parade

Prestons NSW 2170

Australia

Phone:

(02) 9607 4100

Fax:

(02) 9607 4200

Email:

[sales@tonson-motor.com.au](mailto:sales@tonson-motor.com.au)

Website:

[www.tonson-motor.com.au](http://www.tonson-motor.com.au)

