



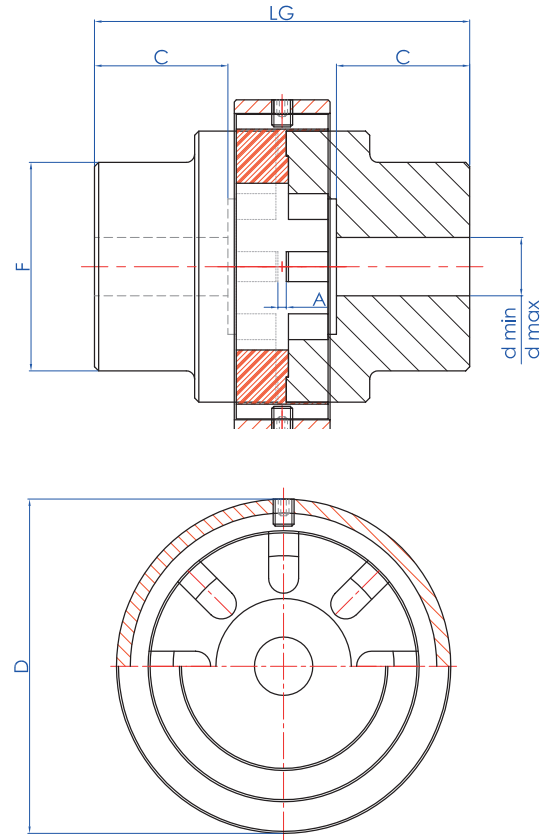
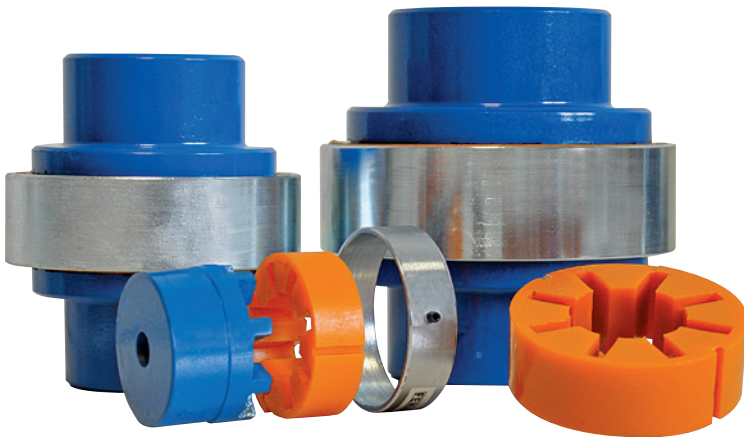
**Specialised Air Motors and Transmission**

Factory 19 / 5 Lyn Parade PRESTONS NSW 2170

Ph: (02) 9607 4100 Fax: (02) 9607 4200

## Features

- Mounting: Horizontal or Vertical
- Operating temperature:
  - Standard: -40°C - 80°C
  - High Temp: -40°C - 140°C
- Materials:
  - Cast Iron GG25 Hubs (on request AISI1045)
  - Elastic Element: Polyurethane 95 shore A
  - Steel Outer ring (on request in PVC)
- No lubrication needed



SIZE	NOMINAL TORQUE [Nm]	MAX. TORQUE [Nm]	MAXIMUM SPEED [1/min]	DIMENSIONS [mm]						WEIGHT [KG]	INERTIA [Kgm <sup>2</sup> ]	TOLLERANCES	
				BORE Min/Max	D	C	A	F	LG			RAD. [mm]	ANG. [°]
FF-0	20	50	9000	8-24	62	37	1	50	71	0,9	-	0,5	2
FF-1	50	90	8000	14-32	80	34	2	64	91	1,8	-	1	2
FF-2	100	250	6500	17-42	107	46	2	80	132	4	0,02	1	2
FF-3	200	500	4800	19-50	140	55	2	86	154	7,5	0,05	1	2
FF-4	400	1000	3500	24-65	176	61	3	110	177	14	0,2	1,5	1,30
FF-5	1000	2500	2900	29-85	225	75	3	140	213	28	0,62	1,5	1,30
FF-6	2000	4000	2500	39-110	267	92	3	180	257	52	1,75	1,5	1,30
FF-7	4000	8000	2200	48-130	307	113	3	205	307	80	3,3	1,5	1
FF-8	7500	15000	1850	62-150	369	144	4	242	378	145	9,18	1,5	1
FF-9	12500	25000	1600	73-180	432	158	4	280	418	215	19,8	2	1
FF-10	25000	40000	1250	96-210	532	180	4	330	470	350	48	2	1