

**"The Brand You Can Trust"**

**Features:**

- Galvanised Torque Arm & Breathers included with all SMSR
- 25 Degrees Pressure Angle & Profile Ground Gearing – Higher Power to Weight Ratios
- **Taper Bushes** manufactured in **Stainless Steel 410** – Zero Rusting / Fretting Corrosion Guaranteed
- High Quality Oil seals on All Gear Units with Heavy Duty Bearings on Input (FAG/SKF only)
- Hardened & Blackened Backstop Bushes, Steiber/Ringspann Sprag Clutch, Keys & Circlips
- Available at Extra Cost: Labyrinths, Hub covers, Galvanised & Drilled Motor Mounts, Extraction Collars, Hydraulic Motor Mounts, Galvanised Reducing Bushes



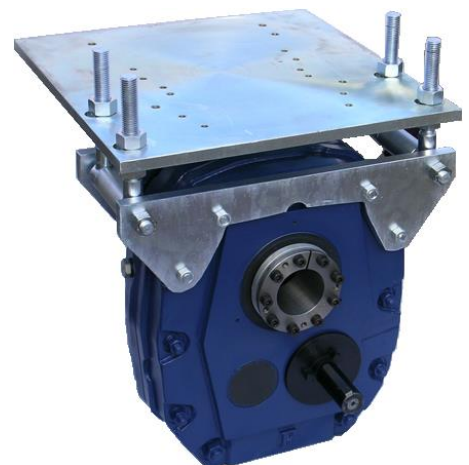
SMSR Keyed Hub

**SMSR – Keyed Hub Units**

SMSR Size	Reduction Ratio	Bore Size (mm)	Backstop Kit (Optional)	Power Rating at 70 RPM (kW)
C	5:1/13:1/20:1	40/45/50	Yes	3.00
D	5:1/13:1/20:1	45/50/55	Yes	5.50
E	5:1/13:1/20:1	55/60/66	Yes	8.20
F	5:1/13:1/20:1	60/62/70/75	Yes	13.20
Fx	5:1/13:1/20:1	60/65/70/75	Yes	17.10
G	5:1/13:1/20:1	70/75/85	Yes	22.00
H	5:1/13:1/20:1	70/85/100	Yes	34.00
J	5:1/13:1/20:1	100/110/120	Yes	47.00
Jx	5:1/13:1/20:1	100/110/120	Yes	56.40
S	5:1/13:1/20:1	120/125	Yes	75.50
K	5:1/13:1/20:1	125	Yes	100.00
I	5:1/13:1/20:1	125/150	Yes	150.00

**SMSR – Key-less Taper Clamp Units**

SMSR Size	Reduction Ratio	Taper Bush Sizes (mm)	Backstop Kit (Optional)	Power Rating at 70 RPM (kW)
C	5:1/13:1/20:1	40,35,32,30	Yes	3.00
D	5:1/13:1/20:1	50,48,45,42,40	Yes	5.50
E	5:1/13:1/20:1	55,50,45,42	Yes	8.20
F	5:1/13:1/20:1	65,60,55,50	Yes	13.20
Fx	5:1/13:1/20:1	65,60,55,50	Yes	17.10
G	5:1/13:1/20:1	75,70,65,60	Yes	22.00
H	5:1/13:1/20:1	85,80,75,70	Yes	34.00
J	5:1/13:1/20:1	100,95,90,80,75	Yes	47.00
Jx	5:1/13:1/20:1	100,95,90,80,75	Yes	56.40
S	5:1/13:1/20:1	120,110,100,95	Yes	75.50
K	5:1/13:1/20:1	125,120,110	Yes	100.00
I	5:1/13:1/20:1	150,140,125,120	yes	150.00



SMSR Key-less Taper Clamp with Motor Mount

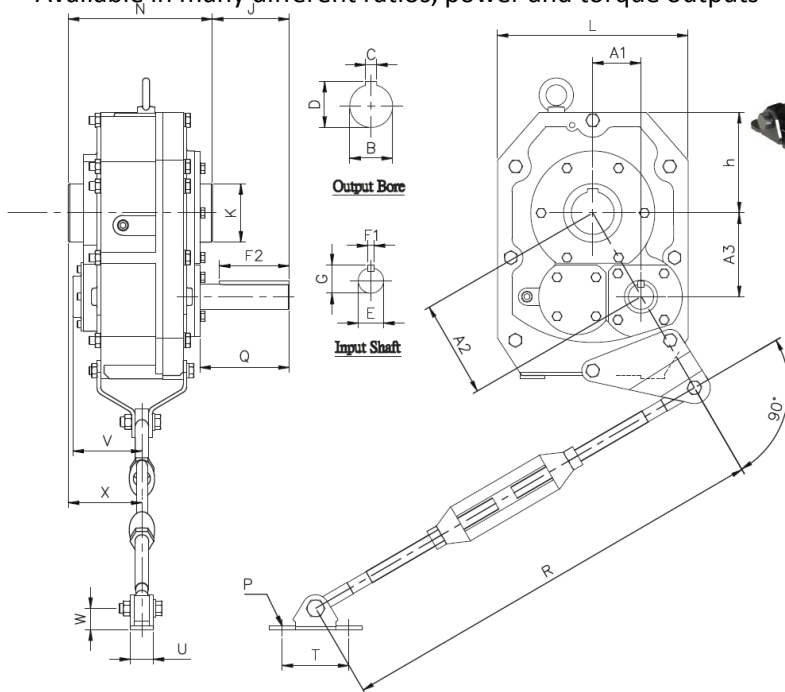
Note: Fx and Jx are extra power sizes, **Interchangeable with Old Fenner and Sumitomo SMSR sizes**

# Shaft Mounted Speed Reducers Type D

**"The Brand You Can Trust"**

**Features:**

- New SAMT Bolt-on adapter and shafts are engineered to SAMT dimensions and features double-lip seals on both sealing surfaces.
- Torque Arm kit with brackets for universal mounting.
- Backstop Assemblies for shaft mount ensure smooth, forward operation of conveyor with no back slip.
- Carefully engineered to acquire ideal performance and efficiency
- Ease of installation and usage by the end user
- Available in many different ratios, power and torque outputs



Size	A1	A2	A3	B	C	D	E	F1	K	L	M	N	P	Q	R min	R max
2	54	10.97	95.5	40	12	43.3	19	6	65	212	292	152	11	73	684	837
3	59.4	121.5	106	50	14	53.5	22	6	75	235	332	161	11	82	684	837
				55	16	59.3	25	8			173		87			
4	70.1	140.4	121.7	65	18	69.4	28	8	85	277	382	195	14	95	741	894
5	77	163.3	144	75	20	79.9	32	10	95	334	463	214	13	100	741	894
6	103.7	200	171	85	22	90.4	42	12	110	392	553	225	16	115	741	894
7	129.5	247.4	210.8	100	28	106.4	48	14	130	482.5	655	267	16	149	748	900
8	153.1	285.8	241.3	100	28	106.4	55	16	140	517	720	298	19	166	762	914
9	167.4	321.5	274.5	125	32	132.5	60	18	160	597	810	290	19	221	762	914

Every effort has been made to make sure data listed in this publication is correct.  
Any information may change without prior notice.

**Note: Interchangeable with Dodge SMSR sizes**

**TONSON AUSTRALIA Pty Ltd**

Factory 19 / 5 Lyn Parade PRESTONS NSW 2170

PH: (02) 9607 4100 FAX: (02) 9600 8882

sales@samt.com.au

**TONSON®**

www.tonson-motor.com.au