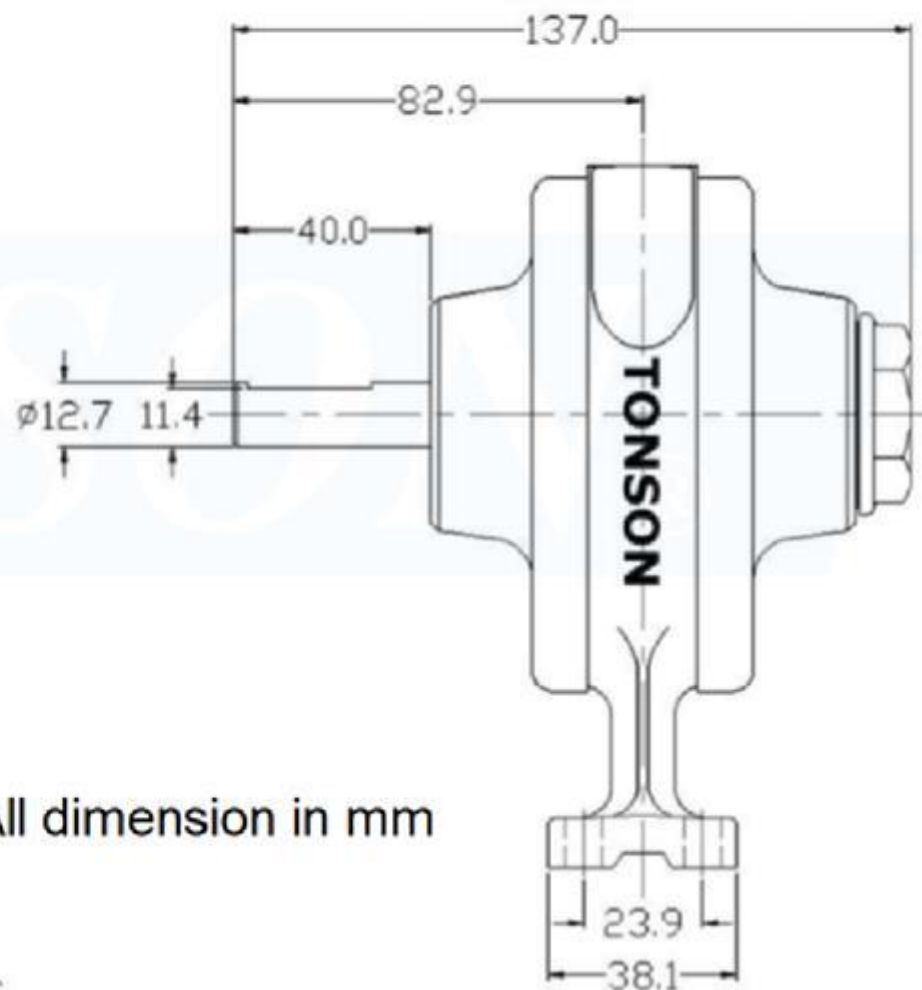
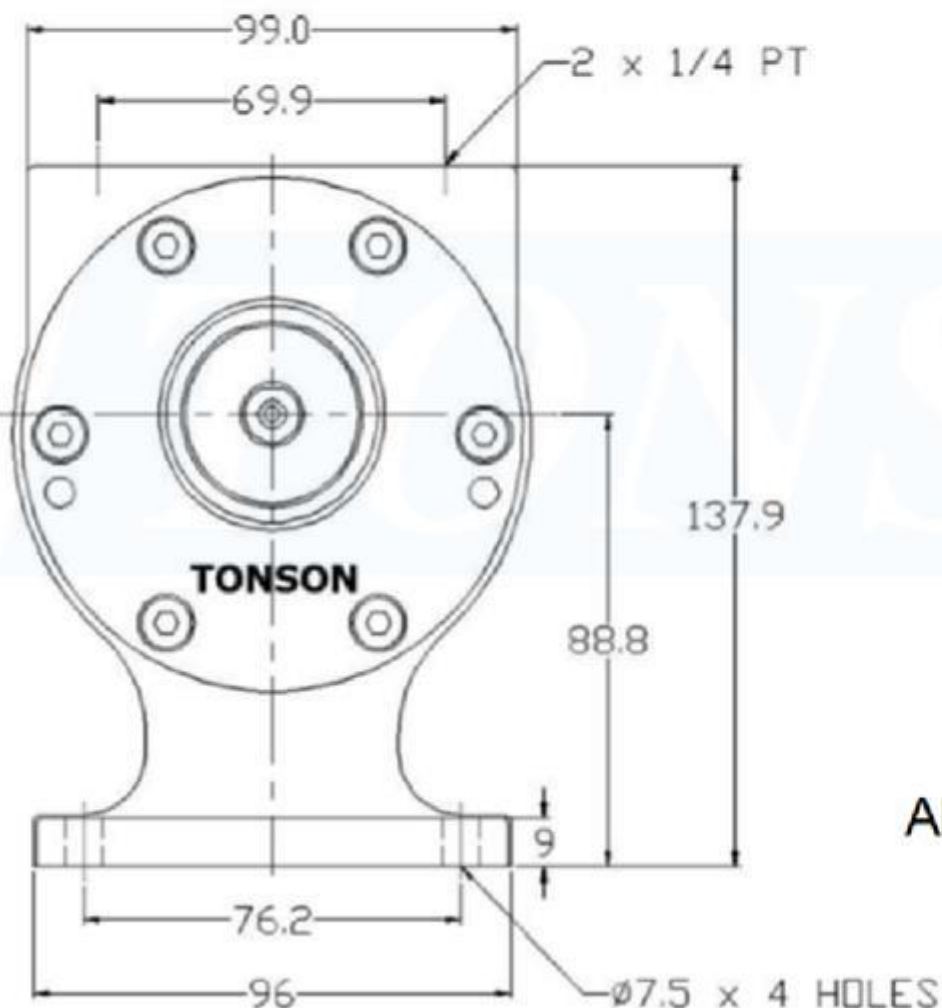


V2-L

TONSON VANE AIR MOTOR

Foot Mounting



All dimension in mm