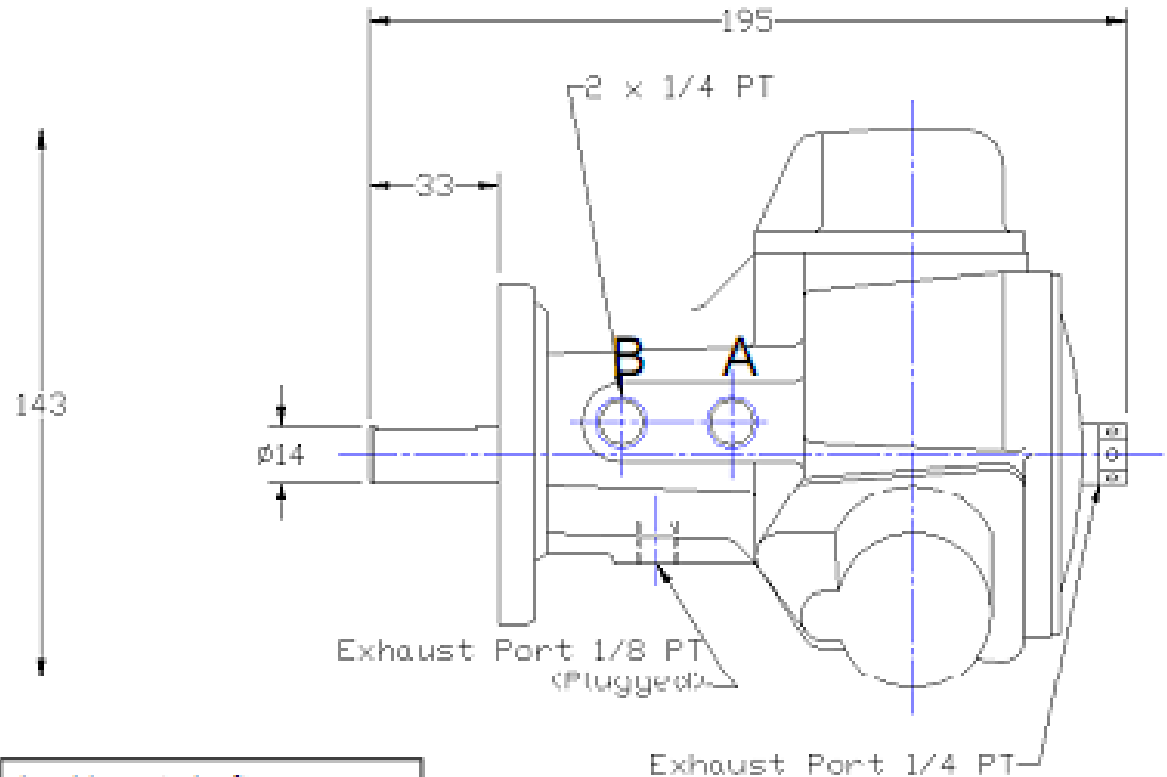
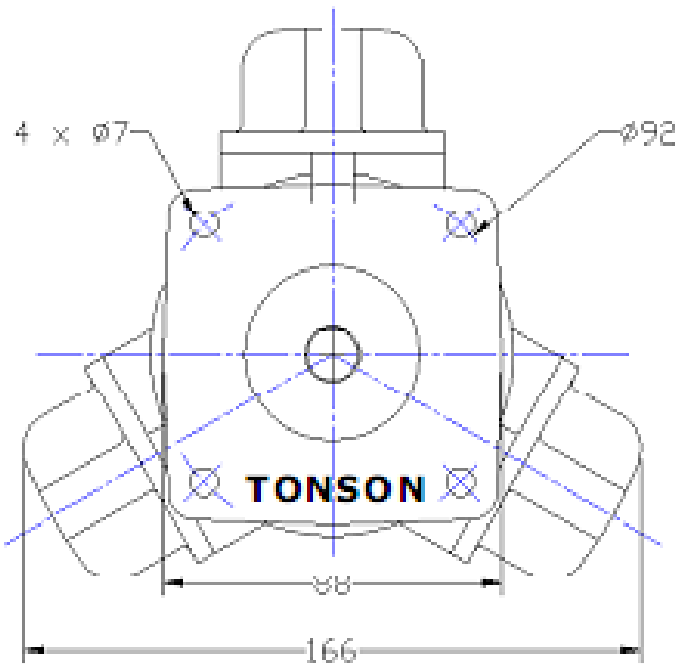


# M3-F PISTON AIR MOTORS

1/4 HP 1.37 N·m 900 RPM

## Flange Mounting



Looking at shaft:  
 A Port - Clockwise  
 B Port - Counterclockwise

All dimensions in mm