

New South Wales

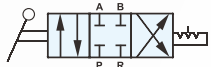
HEAD OFFICE
Unit 19/5 Lyn Parade
Prestons NSW 2170
Ph: (02) 9607 4100
Fax: (02) 9600 8882
Web: www.samtcom.au
Email: sales@samt.com.au



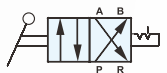
Valves

Symbol

WTSV30043



WTSV30042



Features

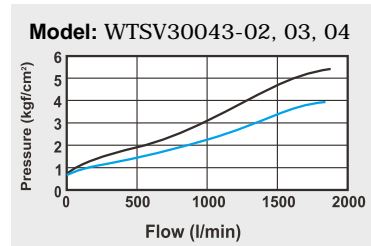
- * Simply operating.
- * Large flow rate.
- * High safety.
- * Light weight.
- * 4 kinds of installation.
- * Cock design for safety operation.



How to order

WTSV30043		02	N	B
Rotary valves		Port size	Thread	Valve type
WTSV30043	4/3 way	02 1/4"	Blank G	Blank Standard
WTSV30042	4/2 way	03 3/8"	N NPT	B Ports on bottom
		04 1/2"	R Rc	C With cock device
				P With panel mounting

Flow chart

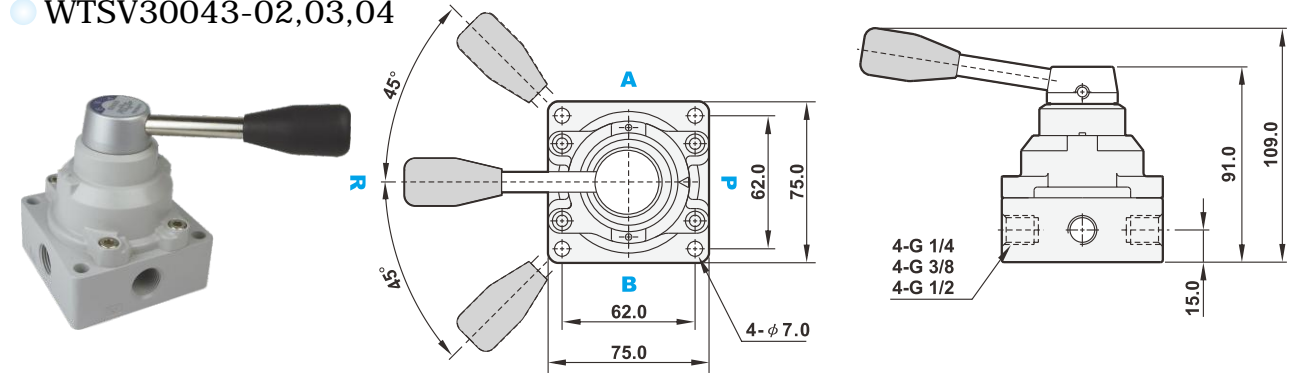


Specifications

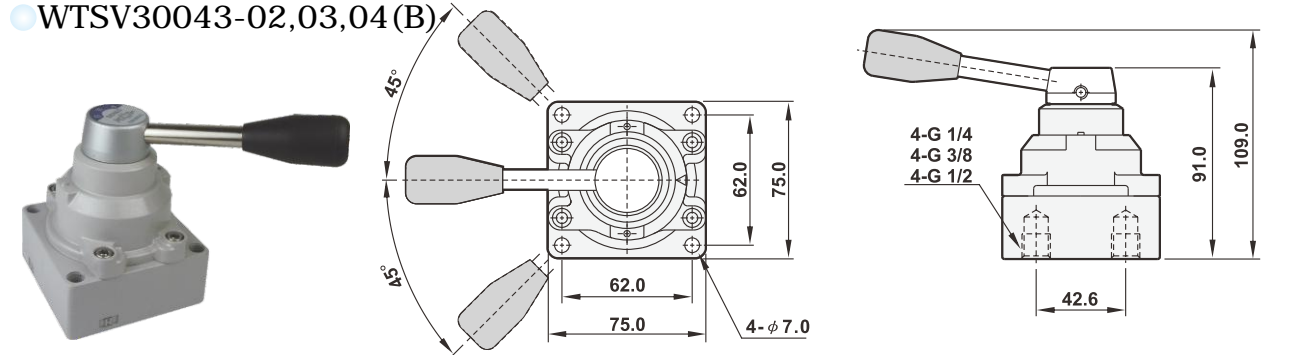
Model	WTSV30043(2)-02	WTSV30043(2)-03	WTSV30043(2)-04
Port size	1/4"	3/8"	1/2"
Body material	Aluminum alloy		
Panel dimension	M40 x P1.5 (For panel mounting only)		
Fluid	Compressed air		
Sectional area	18mm ²		
Operating pressure range	0 ~ 9 kgf/cm ²		
Proof pressure	10kgf/cm ²		
Ambient temperature	-10°C ~ 60°C		
Net weight	600g	580g	560g

Dimensions

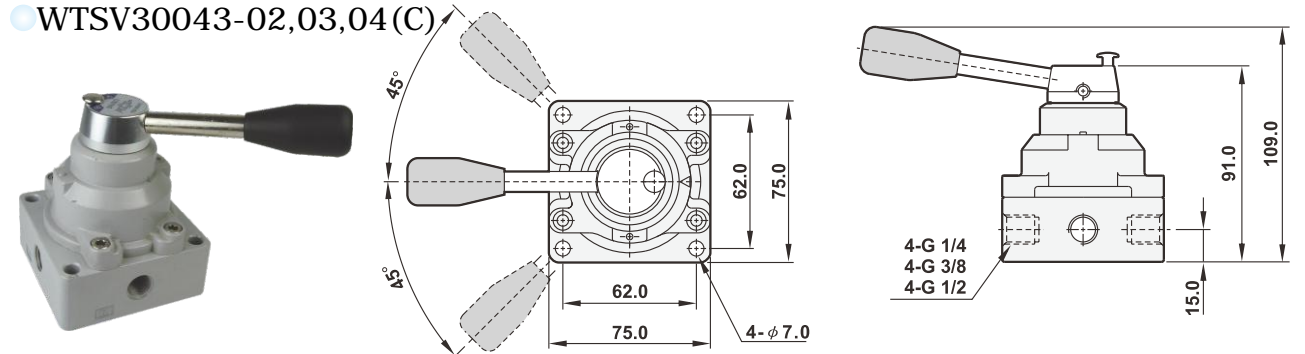
WTSV30043-02,03,04



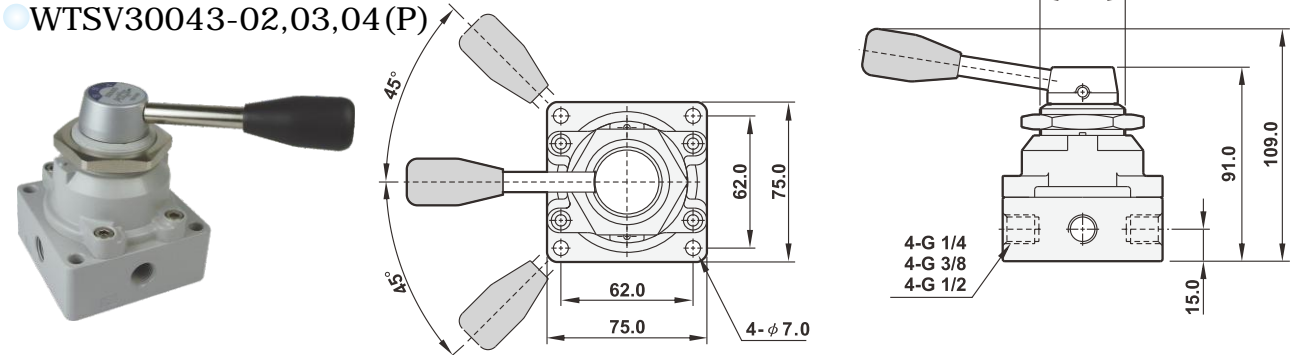
WTSV30043-02,03,04(B)



WTSV30043-02,03,04(C)

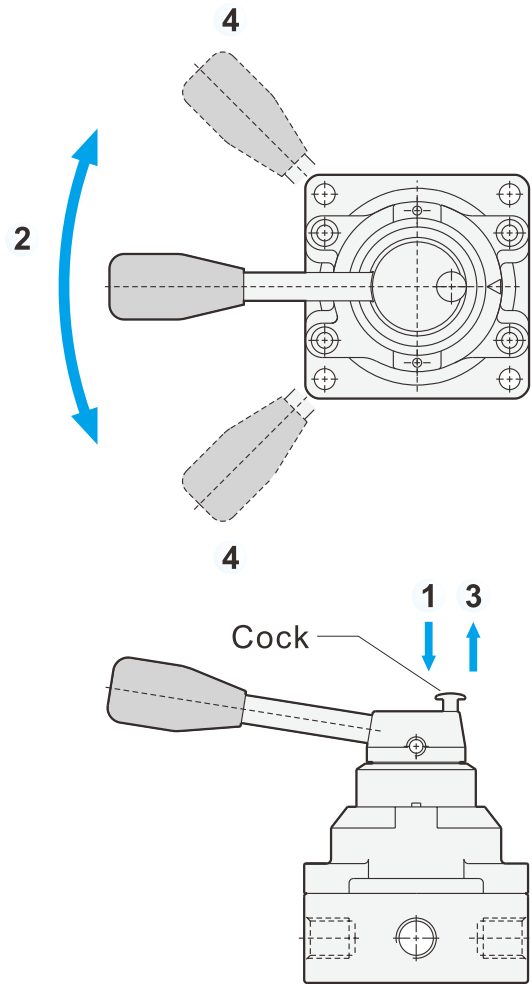


WTSV30043-02,03,04(P)



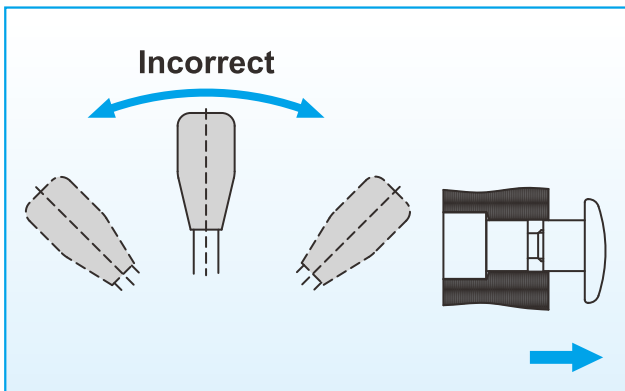
Explosion

● Operating steps WTSV30043 C

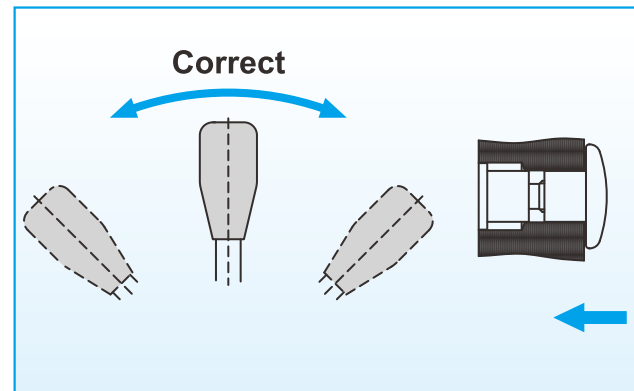
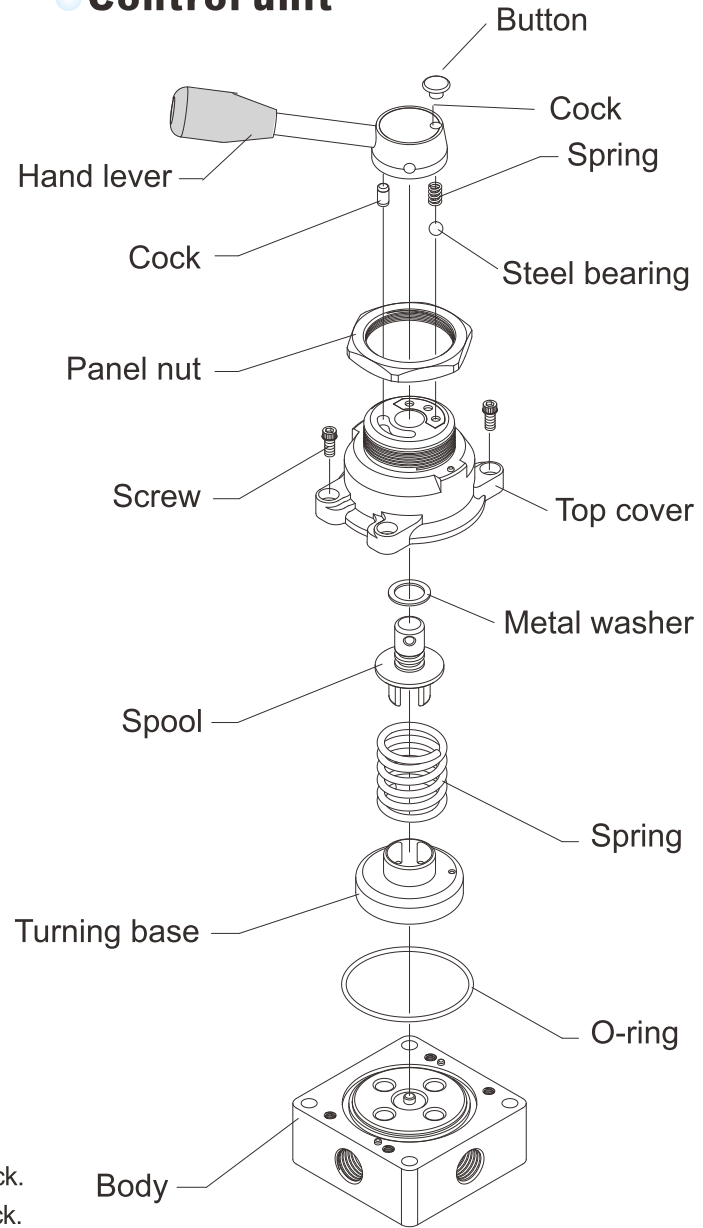


● Operating steps

1. Push the cock down.
2. Turn lever to the left or right.
3. Lift your hand to release cock, the cock bound back.
4. Please do not turn lever when the cock bound back.



● Control unit

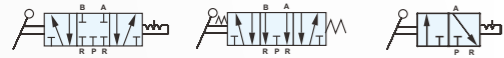


Features

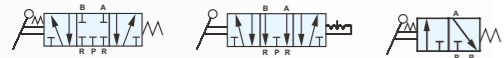
- * Simply operating.
- * Large flow rate.
- * Suitable for vacuum operation.
- * Available for panel mounting.

Symbol

•WTSV8753-02M •WTSV8753-02SX •WTSV9832-M



•WTSV8753-02S •WTSV8753-02MX •WTSV9832-S



How to order

WTSV8753	-	02	N	M	F
Rotary valves		Port size	Thread	Acting	Mounting bracket
53		5/3 way	Blank G N NPT R Rc	S Spring return (For 1/4" port only) M Detent SX Exhaust center, Spring return (For 1/4" port only) MX Exhaust center, Detent	Blank W/O bracket

WTSV9832	-	02	N	M
Rotary valves		Port size	Thread	Acting
32		3/2 way	Blank G N NPT R Rc	M Detent S Spring return

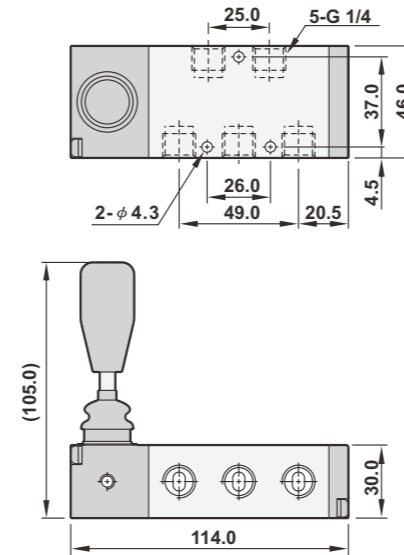
Specifications

Model	WTSV8753-02M(S)	WTSV8753-03M(S)	WTSV9832-01M(S)	WTSV9832-02M(S)
Port size	1/4"	3/8"	1/8"	1/4"
Body material	Aluminum alloy			
Fluid	Compressed air			
Sectional area	35mm ²		18mm ²	
Operating pressure range	0 ~ 9 kgf/cm ²			
Proof pressure	10 kgf/cm ²			
Ambient temperature	-10°C ~ 60°C			

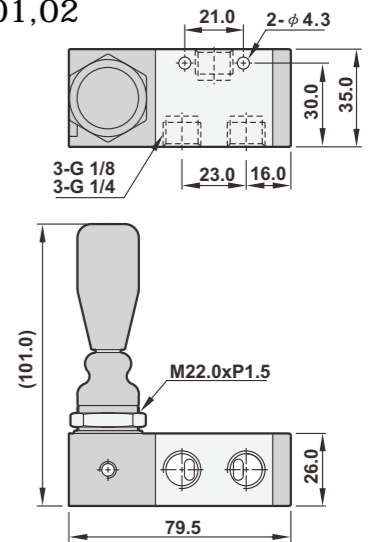


Dimensions

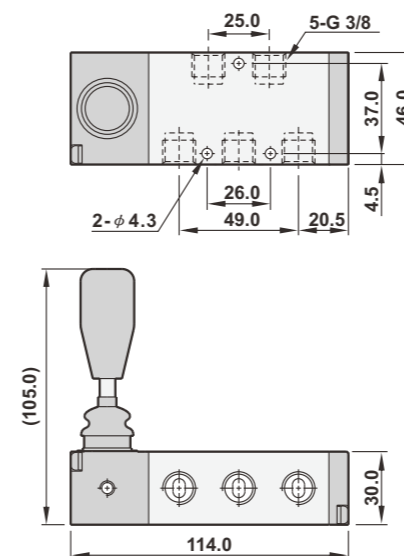
WTSV8753-02



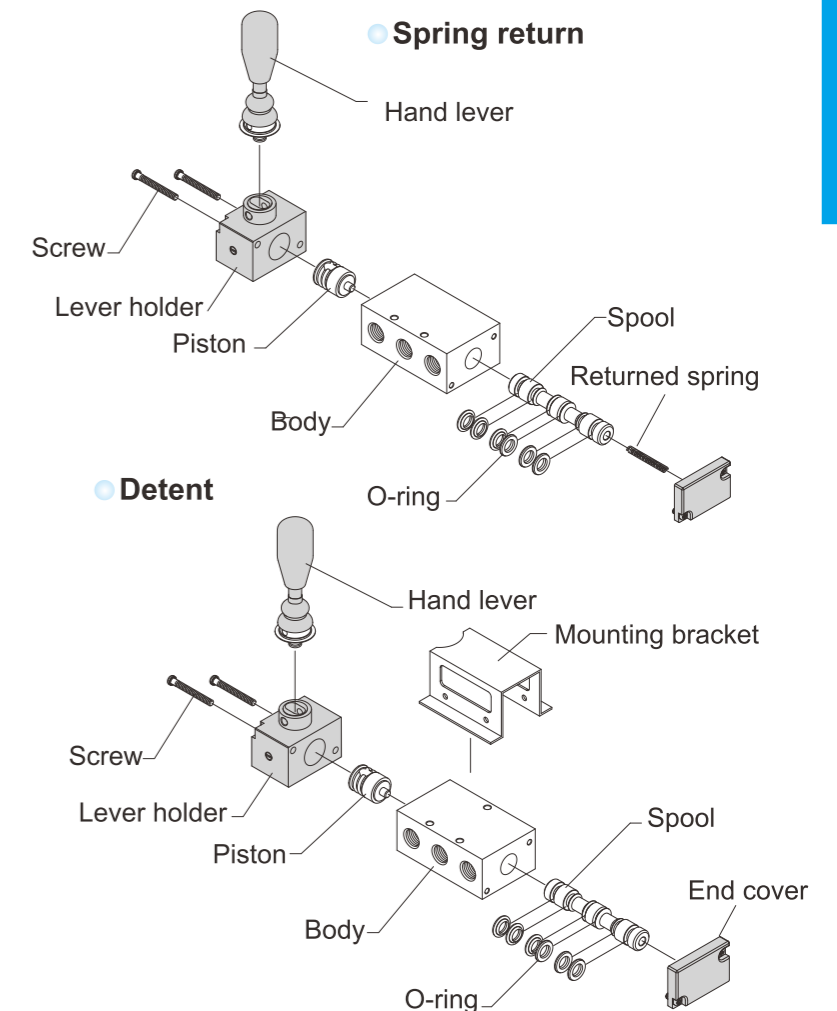
WTSV9832-01,02



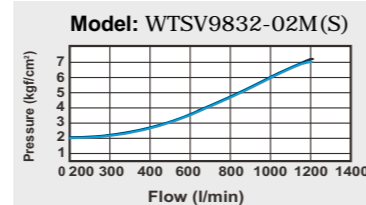
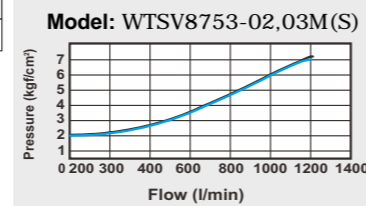
WTSV8753-03



Explosion



Flow chart

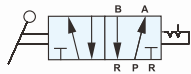


Features

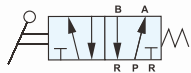
- * Simply operating.
- * Suitable for vacuum operation.
- * Available for panel mounting.
- * Mounting bracket as optional accessory.
- * TSV8652R-01/02 for manifold assembly.

Symbol

WTSV8652M WTSV9652M



WTSV8652S WTSV9652S



How to order

WTSV8652		R	-	02	N	M	F
Hand control valves	Manifold	Port size	Thread	Acting	Mounting bracket		
52 5/2 way	Blank Standard R Manifold type	01 1/8" 02 1/4" 03 3/8"	Blank G N NPT R Rc	S Spring return M Detent	Blank W/O bracket F W/I mounting bracket For 1/8", 1/4" only.		

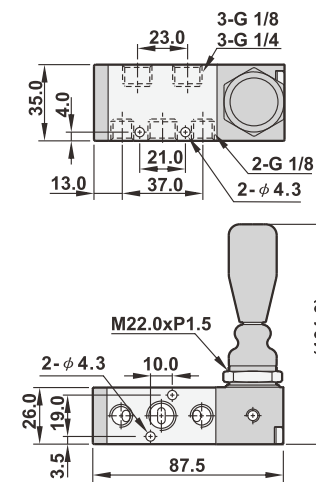
WTSV9652		-	02	N	M	F
Hand control valves	Port size	Thread	Acting	Mounting bracket		
52 5/2 way	02 1/4"	Blank G N NPT R Rc	S Spring return M Detent	Blank W/O bracket F W/I mounting bracket		

Specifications

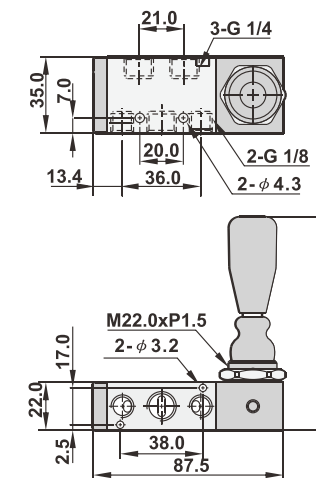
Model	WTSV8652(R)-01M(S)	WTSV8652(R)-02M(S)	WTSV9652(R)-02M(S)	WTSV8652(R)-03M(S)
Port size	1/8"	1/4"	1/4"	3/8"
Body material	Aluminum alloy			
Fluid	Compressed air			
Sectional area	18mm ²	18mm ²	18mm ²	35mm ²
Operating pressure range	0 ~ 9 kgf/cm ²			
Proof pressure	10 kgf/cm ²			
Ambient temperature	-10°C ~ 60°C			
R type	For 1/8", 1/4" port only			

Dimensions

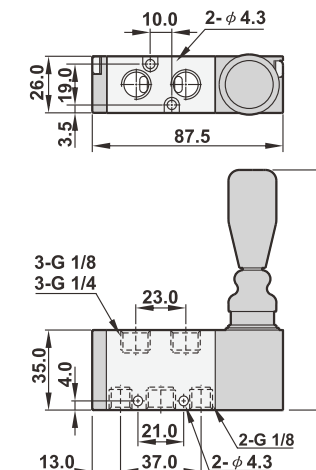
WTSV8652-01, 02M(S)



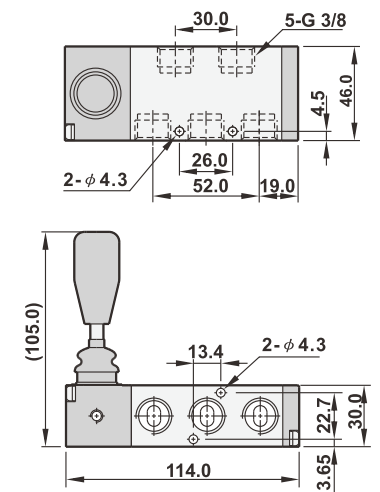
WTSV9652-02M(S)



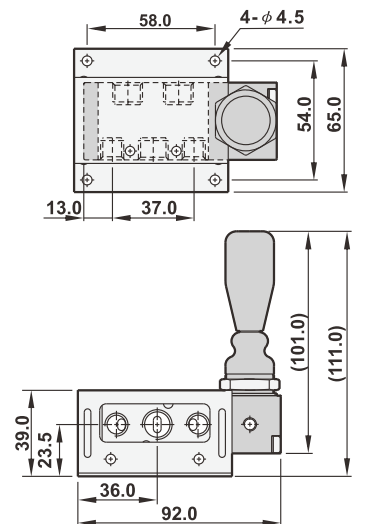
WTSV8652R-01,02



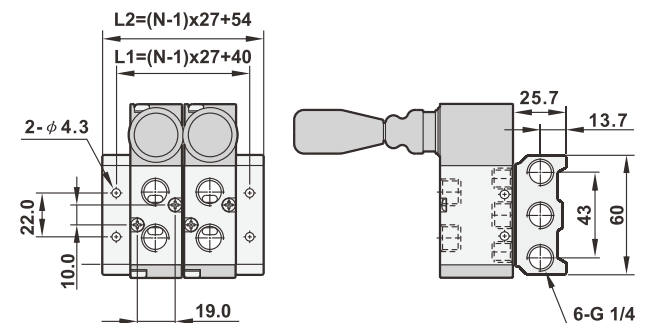
WTSV8652-03M(S)



WTSV8652-01, 02MF



WMF520-0202



Number of station (N)	2	3	4	5	6	7	8	9	10
L1	67	94	121	148	175	202	229	256	283
L2	81	108	135	162	189	216	243	270	297

Features

- * To be installed in moving devices like air cylinder, slide...etc.
- * Various operating styles.
- * Panel bore size $\phi 30$ (Option $\phi 25$).



How to order

WMSV8632 - 01 N R G

Mechanical valves		Port size		Thread		Operator				Operator color	
WMSV8622	Single	01	1/8"	Blank	G	R	Roller	PB	Palm button (Mushroom)	Blank	Standard color
WMSV8642	Stack			N	NPT	RL	One way roller	PP	Palm button (Flush)	G	Green
WMSV8632	Single (with exhaust port)			R	Rc	TB	Twist selector	PPL	Palm button (Extended)	B	Black
WMSV8662	Stack (with exhaust port)					LB	Long twist selector	EB	Stop cock button	Y	Yellow

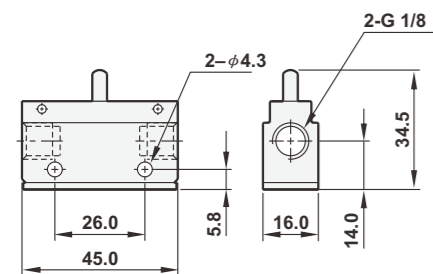
* MSV8642 & MSV8662 for TB operator only.

Specifications

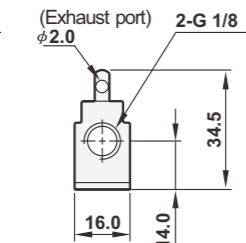
Model	WMSV8632-01	WMSV8642-01TB
Port size	1/8"	
Body material	Aluminum alloy	
Panel dimension	30mm (Option:25mm)	
Fluid	Compressed air	
Sectional area	1.8mm ²	
Operating pressure range	0 ~ 9 kgf/cm ²	
Max. operating pressure	10 kgf/cm ²	
Ambient temperature	-10°C ~ 60°C	
Standard operator color	Black: TB, LB; Red: PB, PP, PPL, EB	

Dimensions

WMSV8622-01

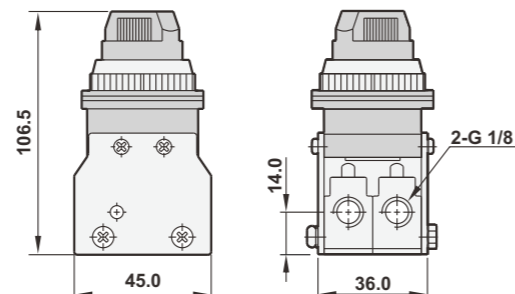


WMSV8632-01



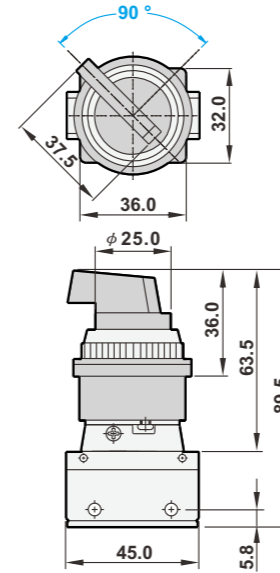
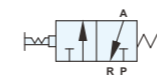
WMSV8642-01TB

WMSV8662-01TB

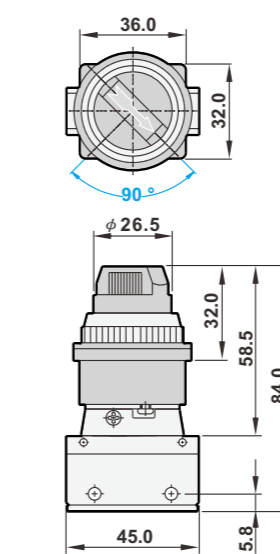


Dimensions

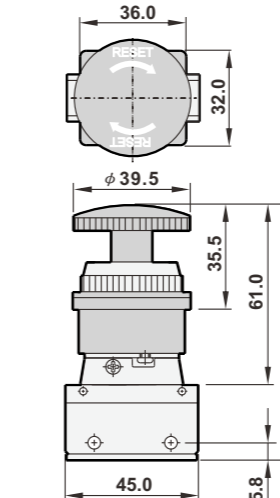
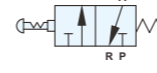
LB



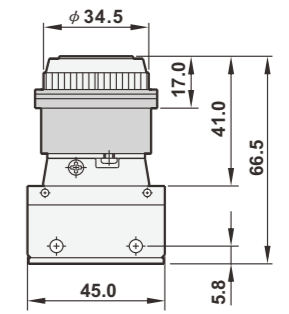
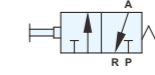
TB



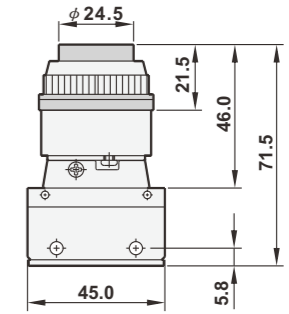
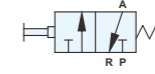
EB



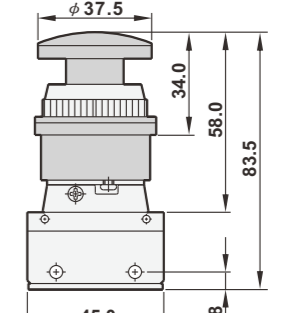
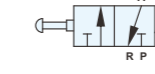
PP



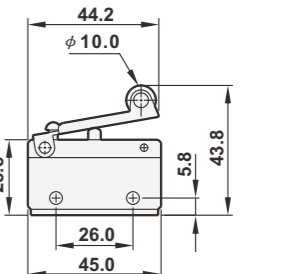
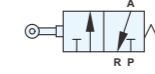
PPL



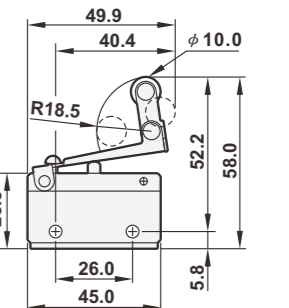
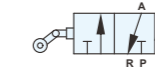
PB



R



RL



Features

- * To be installed in moving devices like air cylinder, slide...etc.
- * Various operating styles.
- * Panel bore size ϕ 30 (Option ϕ 25).



How to order

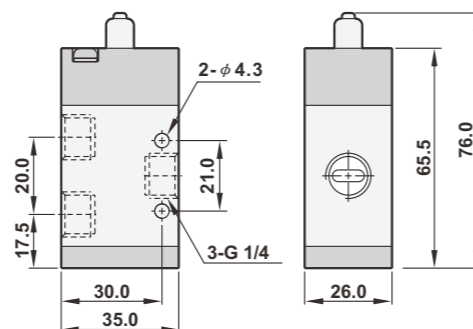
WMSV9832		02	N	R	G
Mechanical valves		Port size	Thread		Operator
32	3/2 Way	02 1/4" Option 1/8"	Blank N R	G NPT Rc	R Roller TB Twist selector LB Long twist selector PB Palm button (Mushroom) PP Palm button (Flush) PPL Palm button (Extended) EB Stop cock button
				Operator color	
				Blank G B Y	
				Standard color Green Black Yellow	

Specifications

Model	WMSV9832-02
Port size	1/4" (Option 1/8")
Body material	Aluminum alloy
Panel dimension	30mm (Option:25mm)
Fluid	Compressed air
Sectional area	18mm ²
Operating pressure range	0 ~ 9 kgf/cm ²
Proof pressure	10 kgf/cm ²
Ambient temperature	-10°C ~ 60°C
Standard operator color	Black: TB, LB; Red: PB, PP, PPL, EB

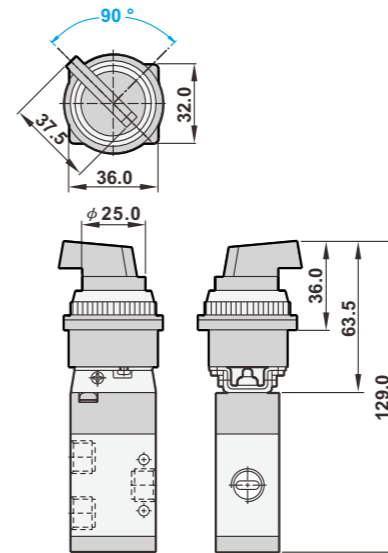
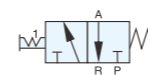
Dimensions

WMSV9832-02

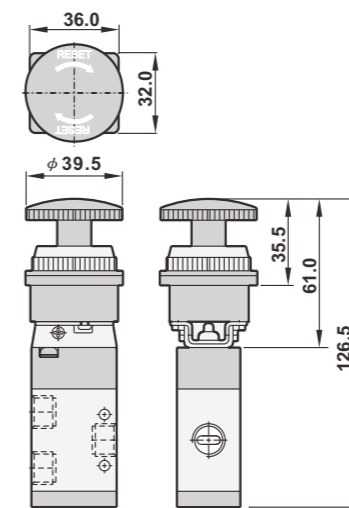
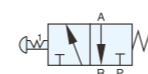


Dimensions

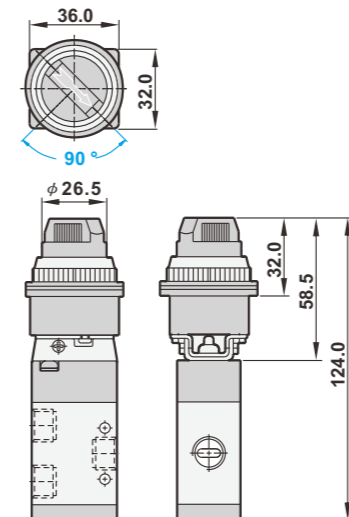
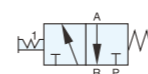
LB



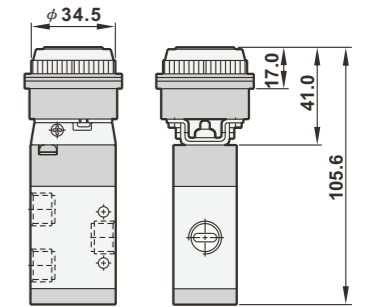
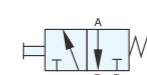
EB



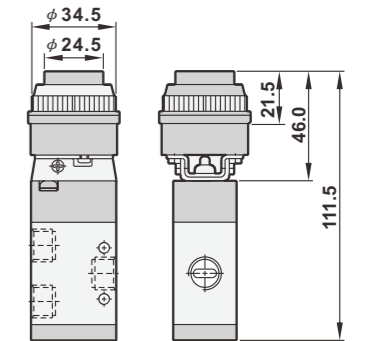
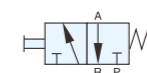
TB



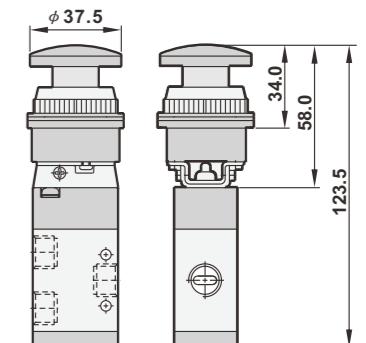
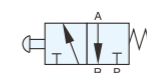
PP



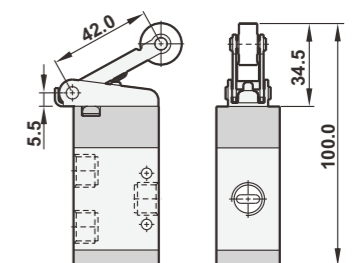
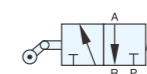
PPL



PB



R



Features

- * To be installed in moving devices like air cylinder, slide...etc.
- * Various operating styles.
- * Panel bore size $\phi 30$ (Option $\phi 25$).



How to order

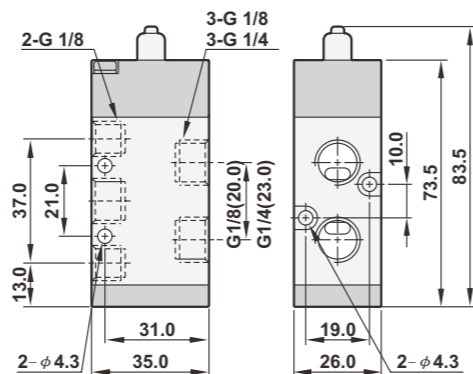
WMSV8652	02	N	R	G
Mechanical valves	Port size	Thread	Operator	Operator color
52 5/2 Way	01 1/8" 02 1/4"	Blank G N NPT R Rc	R Roller TB Twist selector LB Long twist selector PB Palm button (Mushroom) PP Palm button (Flush) PPL Palm button (Extended) EB Stop cock button PH Push-pull button	Blank Standard color G Green B Black Y Yellow

Specifications

Model	WMSV8652-01	WMSV8652-02
Port size	1/8"	1/4"
Body material	Aluminum alloy	
Panel dimension	30mm (Option:25mm)	
Fluid	Compressed air	
Sectional area	14mm ²	18mm ²
Operating pressure range	0 ~ 9 kgf/cm ²	
Proof pressure	10 kgf/cm ²	
Ambient temperature	-10°C ~ 60°C	
Standard operator color	Black: TB, LB; Red: PB, PP, PPL, EB	
Optional color	Green, Black, Yellow for PB, PP, PPL	

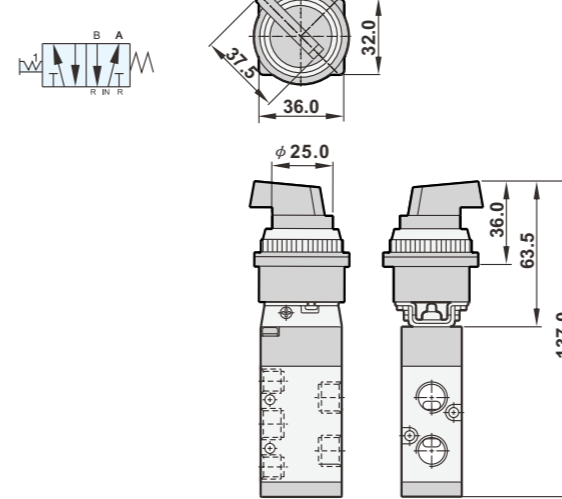
Dimensions

WMSV8652-01, 02

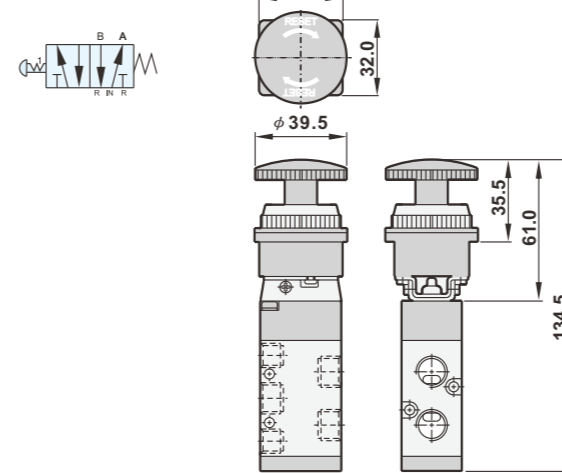


Dimensions

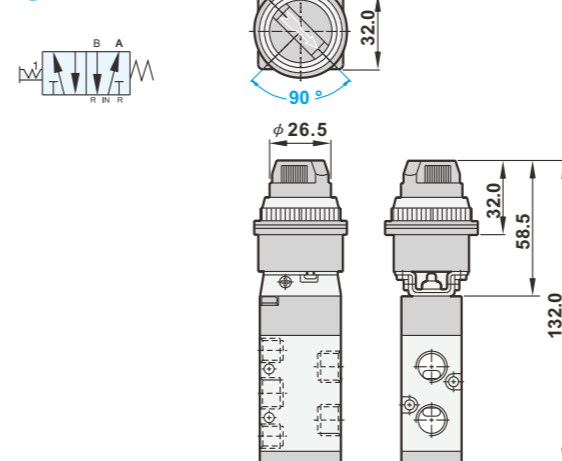
LB



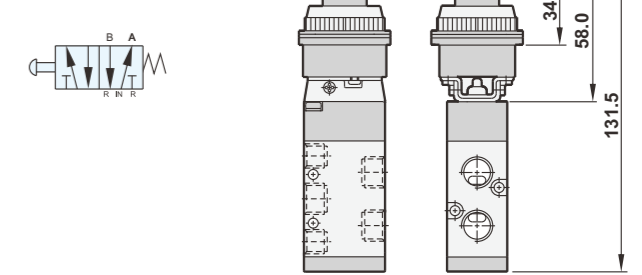
EB



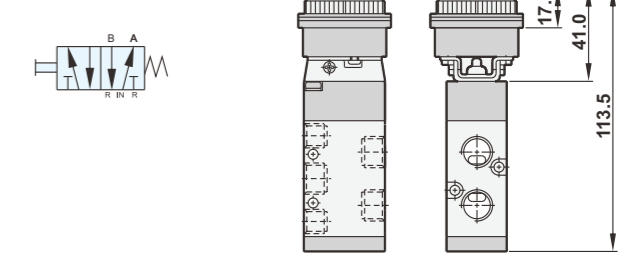
TB



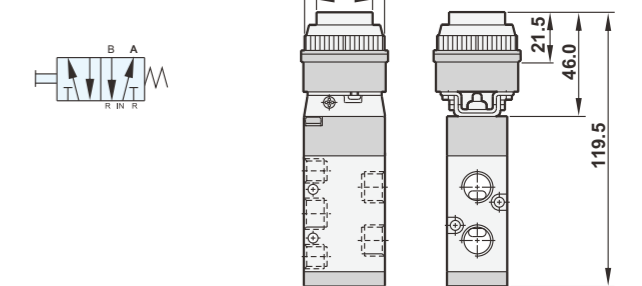
PB



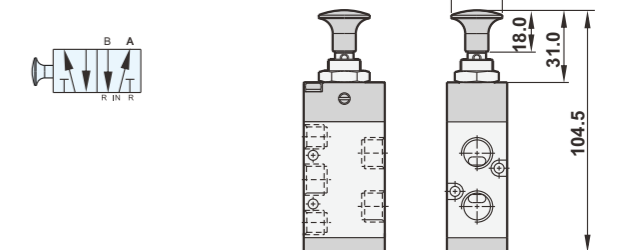
PP



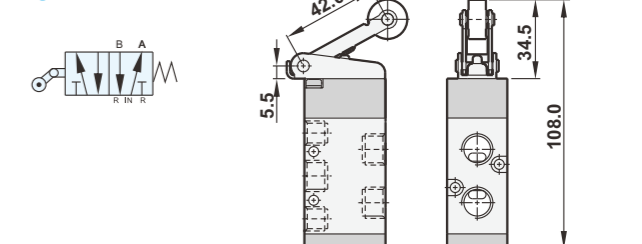
PPL



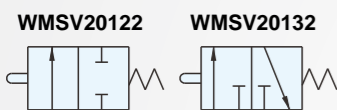
PH



R



Symbol



Features

- * Miniature and compact size
- * Quick response with large flow rate

How to order

WMSV20122 — **01** **N**

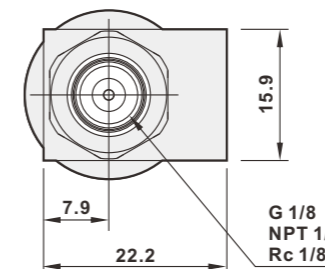
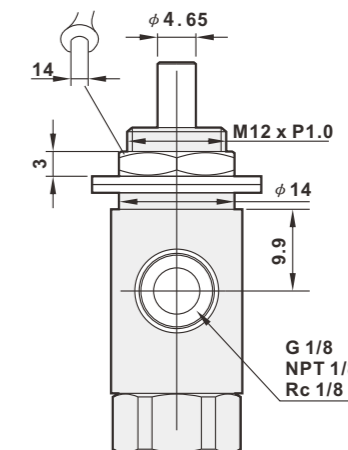
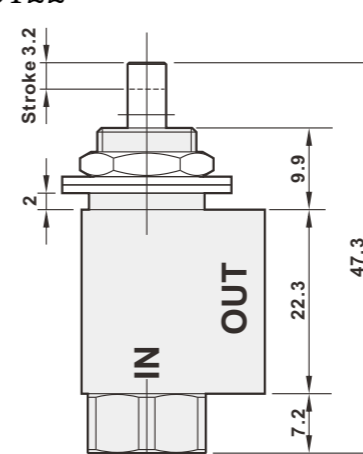
Mechanical valves		Port size	Thread	
WMSV20122	2/2 way	01 1/8"	Blank	G
WMSV20132	3/2 way		N	NPT
			R	Rc

Specifications

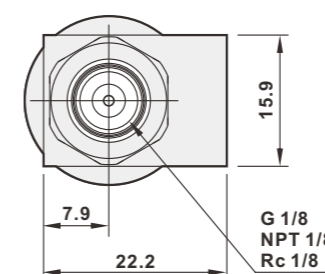
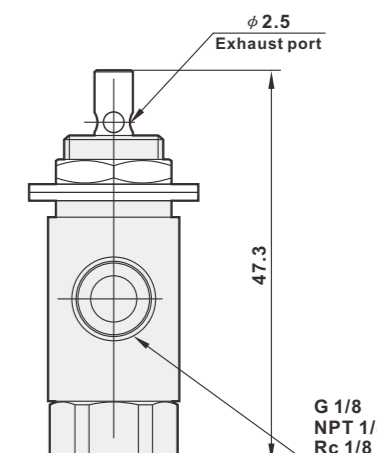
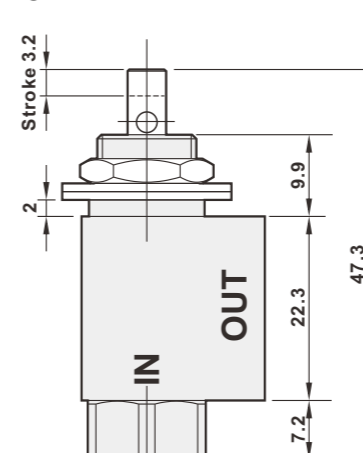
Model	WMSV20122-01	WMSV20132-01
Port size	1/8"	
Body material	Forged Brass	
Panel diameter	12mm	
Fluid	Compressed air	
Effective area	8.5mm ²	
Operating pressure range	0 ~ 9 kgf/cm ²	
Proof pressure	10kgf/cm ²	
Ambient temperature	-10°C ~ 60°C	
Net weight	70g	
Force for full stem actuation	53 Oz.nominal	

Dimensions

WMSV20122

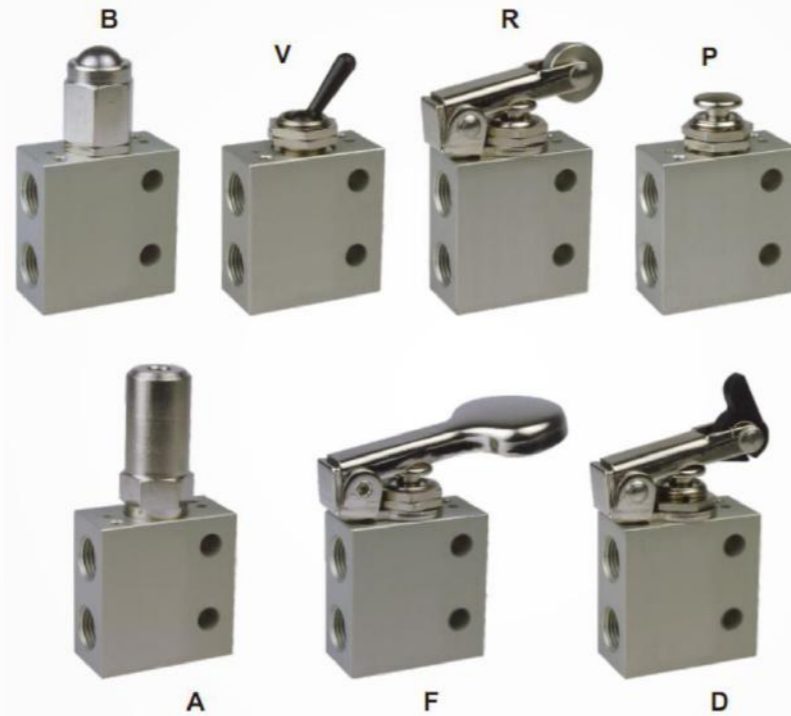


WMSV20132



Features

- * One valve is okay for N.O or N.C use.
- * 7 kinds of installation.
- * Panel bore size ϕ 12.



How to order

WMSV30132

01

N

V

Mechanical valves

Port size

Thread

Operator

3/2 way

01 1/8"

Blank	G
N	NPT
R	Rc

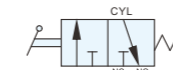
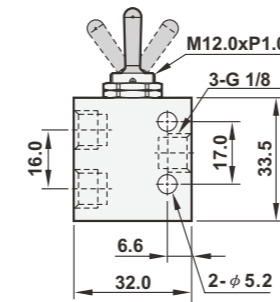
V	Toggle lever
R	Roller
P	Push button
D	One way roller
B	Ball plunger
A	Air pilot
F	Finger button

Specifications

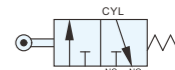
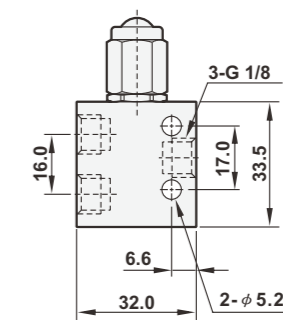
Model	WMSV30132-01
Port size	1/8"
Body material	Aluminum alloy
Panel dimension	12mm
Fluid	Compressed air
Sectional area	5.5mm ²
Operating pressure range	0 ~ 9 kgf/cm ²
Air pilot operation	Starting pressure: 3.5 ~ 4.5 kgf/cm ²
Proof pressure	10 kgf/cm ²
Ambient temperature	-10°C ~ 60°C

Dimensions

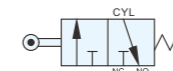
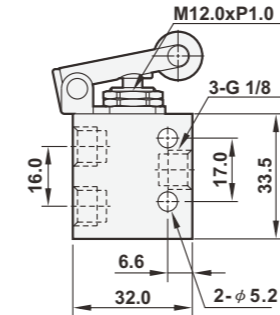
WMSV30132-01V



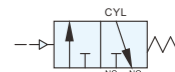
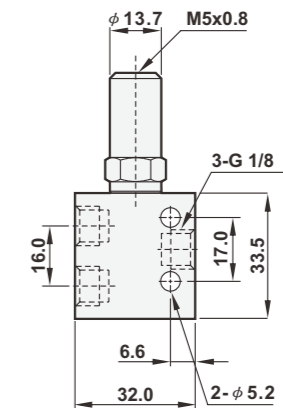
WMSV30132-01B



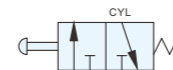
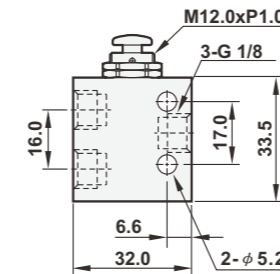
WMSV30132-01R



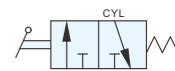
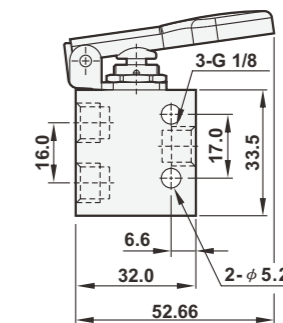
WMSV30132-01A



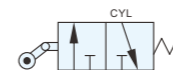
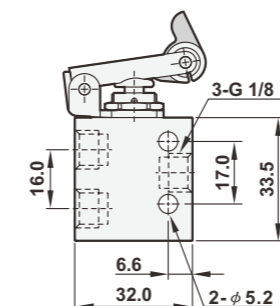
WMSV30132-01P



WMSV30132-01F



WMSV30132-01D



Features

- * 7 kinds of installation.
- * Panel bore size ϕ 12.



How to order

WMSV40152

Mechanical valves

5/2 way

01

Port size

01 1/8"

N

Thread

Blank	G
N	NPT
R	Rc

V

Operator

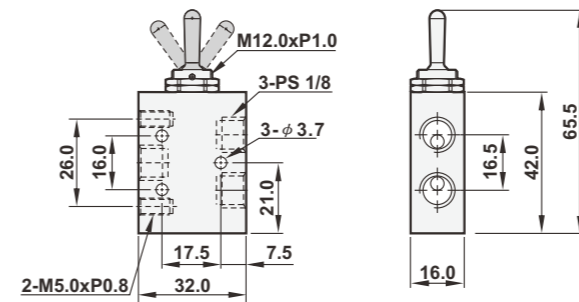
V	Toggle lever
R	Roller
P	Push button
D	One way roller
B	Ball plunger
A	Air pilot
F	Finger button

Specifications

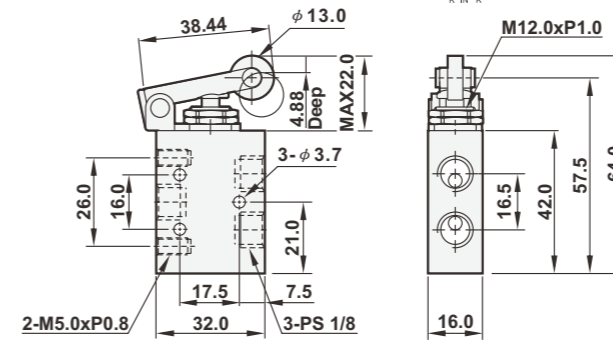
Model	WMSV40152-01
Port size	1/8"
Body material	Aluminum alloy
Panel dimension	12mm
Fluid	Compressed air
Sectional area	6.3mm ²
Operating pressure range	0 ~ 9 kgf/cm ²
Air pilot operation	Starting pressure: 3.5 ~ 7.0 kgf/cm ²
Proof pressure	10 kgf/cm ²
Ambient temperature	-10°C ~ 60°C

Dimensions

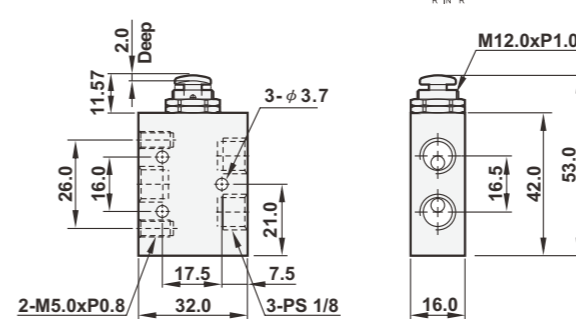
WMSV40152-01V



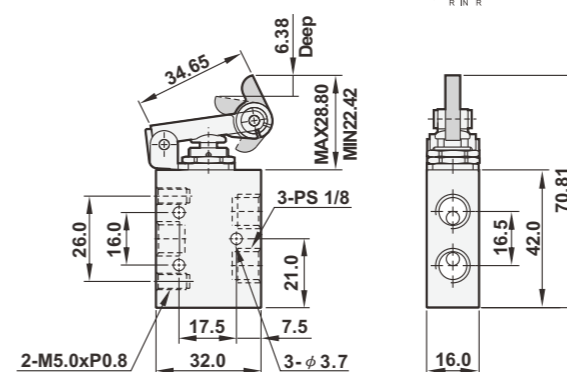
WMSV40152-01R



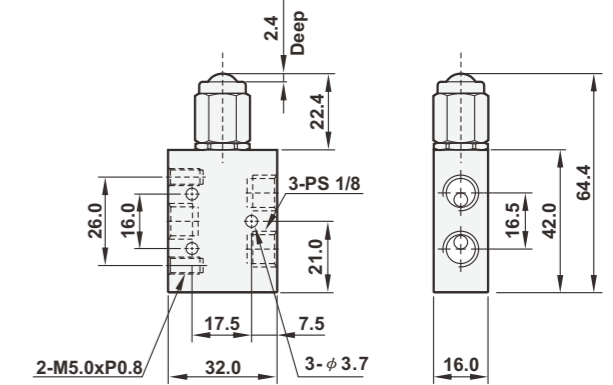
WMSV40152-01P



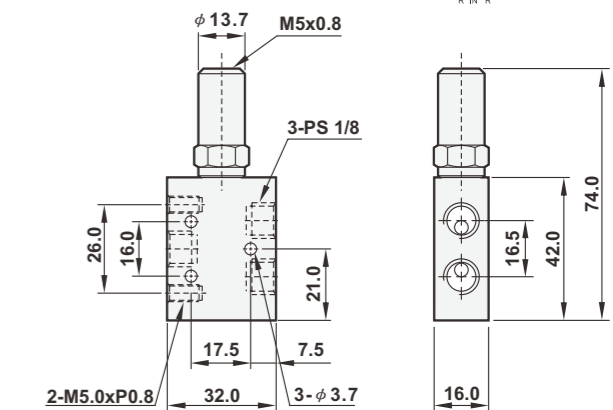
WMSV40152-01D



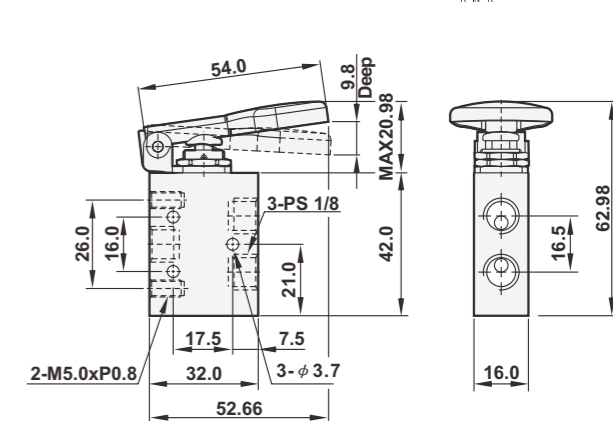
WMSV40152-01B



WMSV40152-01A



WMSV40152-01F



SAMT®



Specialised Air Motors and Transmission

New South Wales

HEAD OFFICE

Unit 19/5 Lyn Parade

Prestons NSW 2170

Ph: (02) 9607 4100

Fax: (02) 9600 8882

Web: www.samt.com.au

Email: sales@samt.com.au

