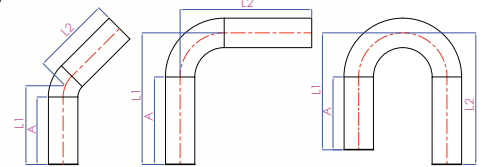
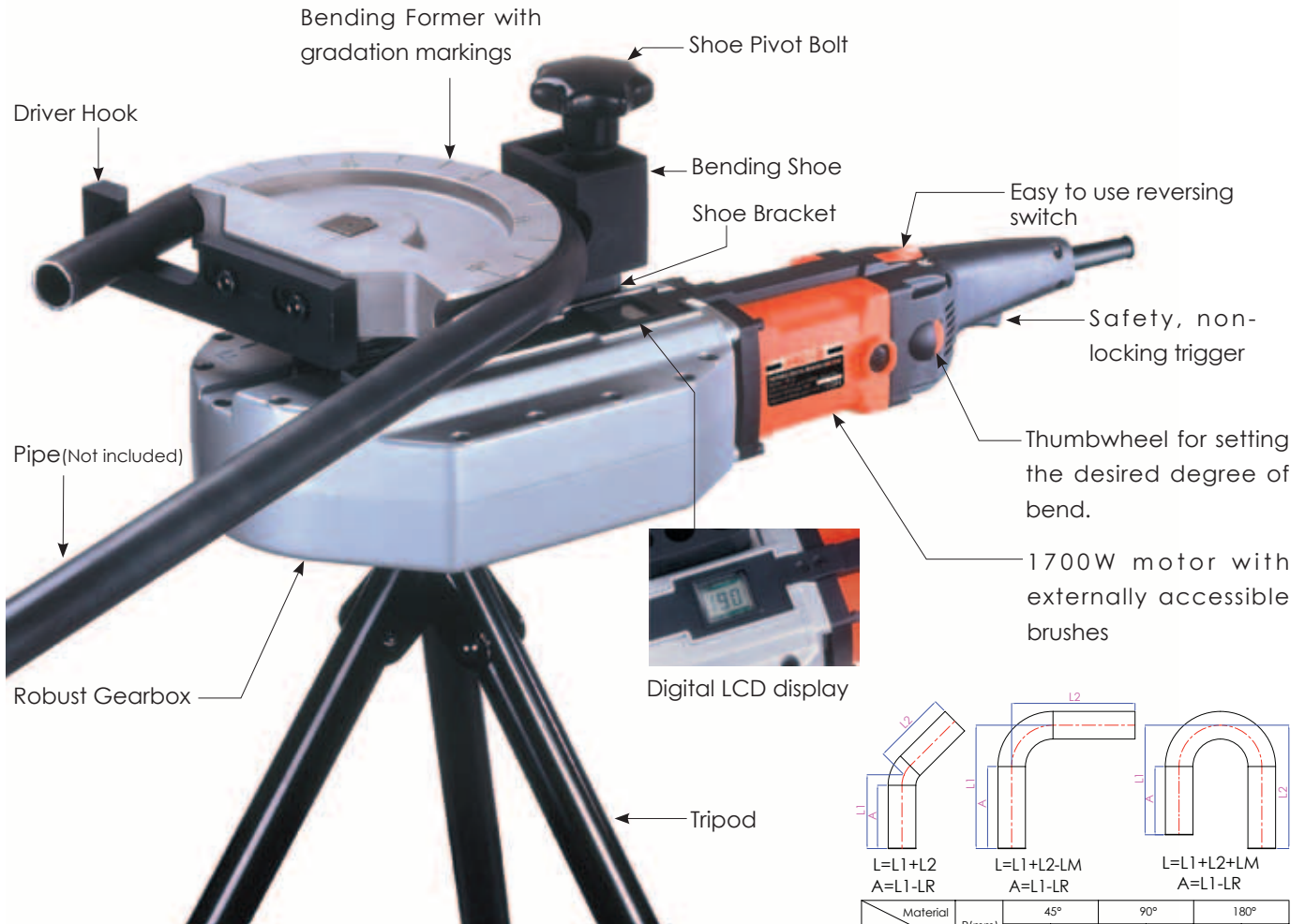


DIGITAL BENDING MACHINE

The **DB 32 Portable Digital Bending Machine** is unique in the industry in having a digital LCD degree display. It makes it extremely fast and simple to produce accurate bends up to 190 degrees in tubing up to 1-1/4". Simply set the desired degree of bend with the thumb wheel and that number appears on the digital display. As soon as the trigger is pressed, the actual degrees of bend are displayed, up until the bend is completed.

The robust 1700 watt motor and heavy duty gearbox are built to last.

Bends are made quickly at 3.5 rpm.



Size	Material	R(mm)	45°		90°		180°	
			L ₁ (mm)	L ₂ (mm)	L ₁ (mm)	L ₂ (mm)	L ₁ (mm)	L ₂ (mm)
7/8 (22.22mm)		88	35	-	92	48	92	96
1 (25.4mm)		102	39	-	103	58	103	112
1-1/8 (28.58mm)		115	45	-	118	55	118	118
1-1/4 (31.75mm)		127	50	-	130	71	130	135

OPTIONAL ACCESSORIES:

Bending Former



Bending Former & Bending Shoe

- | | | |
|----|--------|------|
| 1. | 5/8" | R=4D |
| 2. | 3/4" | R=4D |
| 3. | 7/8" | R=4D |
| 4. | 1" | R=4D |
| 5. | 1-1/8" | R=4D |
| 6. | 1-1/4" | R=4D |

Part Number

- | |
|---------------------|
| 0299-0045-00000-001 |
| 0299-0045-00000-002 |
| 0299-0045-00000-003 |
| 0299-0045-00000-004 |
| 0299-0045-00000-005 |
| 0299-0045-00000-006 |

Bending Shoe

Part Number

- | | |
|--------|-------------------|
| 5/8" | 303-01220-004-001 |
| 3/4" | 303-01220-004-002 |
| 7/8" | 303-01220-004-003 |
| 1" | 303-01220-004-004 |
| 1-1/8" | 303-01220-004-005 |
| 1-1/4" | 303-01220-004-006 |



Model	DB32
Voltage	110-120V~ 50-60Hz, 220-240V~ 50-60Hz
Power Input	1700W
No Load min ⁻¹	3.5
Max. Capacity	32mm(1-1/4")
Soft Start	With
Net Weight (Machine only)	14kg (30.8 Lbs)

STANDARD ACCESSORIES

- * Tripod
- * Velcro Strap
- * Blow Molded Case